

DC WORM GEAR MOTOR

DM-20SWN30

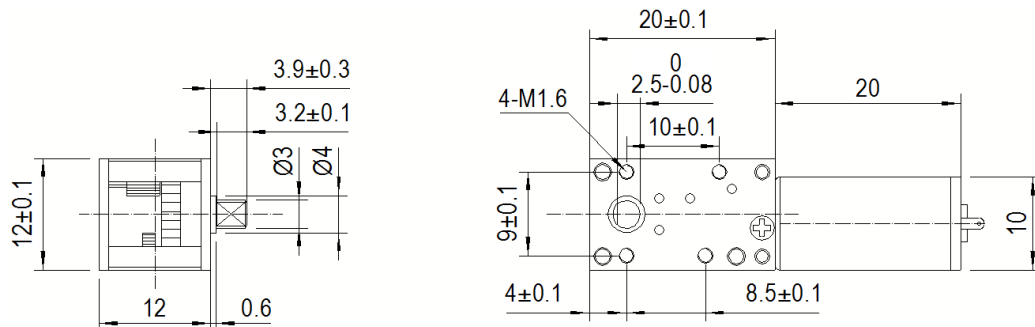
典型应用/Typical applications :

自动快锁门、装订机、自动电视架、点钞机、聚光灯、卫生纸机、
办公设备、家用电器、自动执行机构

Auto shutter, binding machine, automatic TV rack, money counter,
spotlight, tissue machine, office equipments, household appliances,
automatic actuator



APPEARANCE SIZE



unit: mm

齿轮箱参数/Gearbox Data:

级数 Number of stages	4	5	6
减数比 Reduction Ratio i	95、190	219、438	504、1007
齿轮箱长度 Gearbox Length L (mm)	20	20	20
破坏扭力 Breaking Torque(kgf.cm)	2.0	2.0	2.0
齿轮箱效率 Gearbox Efficiency η	40%	30%	25%

电机参数/Driving Motor Data:

DC Motor Model	Rated	No Load		Max Efficiency Load				Stall	
	电压	电流	转速	电流	转速 (n _m)	扭矩 (t _m)	功率	扭矩	电流
	Volt.	Current	Speed	Current	Speed	Torque	P.out	Torque	Current
	V	mA	r/min	mA	r/min	gf.cm	W	gf.cm	mA
DM-N30-2.5-5200	2.5	≤20	5200	≤60	4050	2.0	0.10	≥8.5	≥250
DM-N30-006-12500	6	≤25	12500	≤95	10700	3.0	0.35	≥18	≥500
DM-N30-012-12500	12	≤12	12500	≤45	10700	3.0	0.35	≥18	≥250

减数电机参数/Geared Motor Data :

Gear Motor Model	额定电压 Rated voltage	No load		Max Efficiency Load				Stall	
		电流	转速	电流	转速 (n)	扭矩 (t)	功率	扭矩	电流
		Current	Speed	Current	Speed	Torque	P.out	Torque	Current
		V	A	r/min	A	r/min	kgf.cm	W	kgf.cm
DM-20SWN30-2.55200-95K	2.5	0.03	53	0.09	43	0.11	0.22	0.5	0.33
DM-20SWN30-00612500-190K	6	0.04	65	0.1	55	0.34	0.6	2.1	0.6
DM-20SWN30-01212500-504K	12	0.02	25	0.05	21	0.8	0.6	3	0.3

电机参数仅供参考, 请以实际样板为准; 可以依据客户要求定制参数。

The motor parameters are for reference only, please refer to real measured data;

We can customize parameters according to customer requirements.

减数电机输出转速=直流电机输出转速/齿轮箱减数比; 减数电机输出扭矩=直流电机输出扭矩*齿轮箱减数比*齿轮箱传动效率。

Gear Motor Output Speed=DC Motor Speed/Gear Ratio $n=n_m/i$

Gear Motor Output Torque=DC Motor Torque*Gear Ratio*Gearbox Efficiency. $t=t_m*i*\eta$